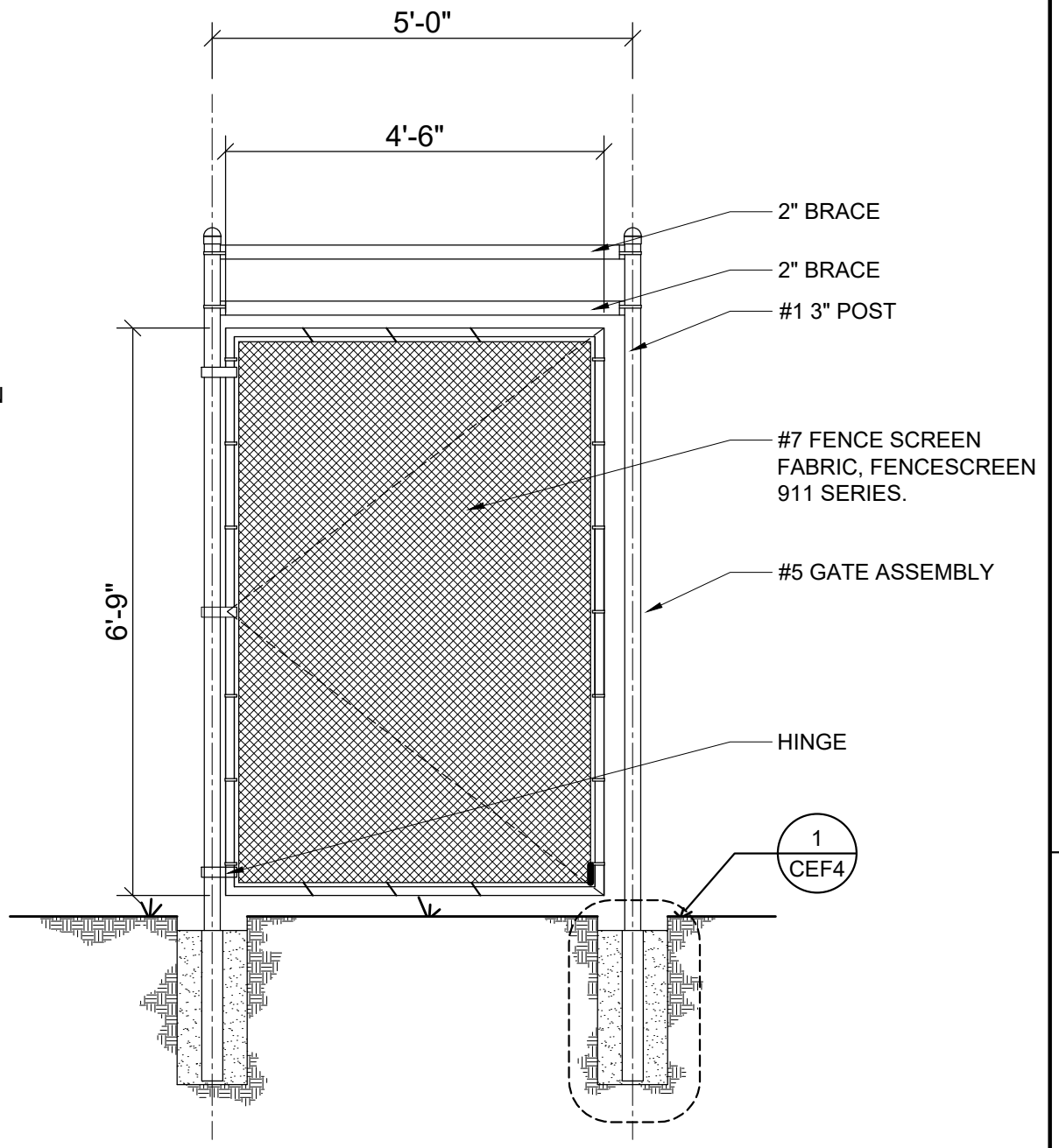
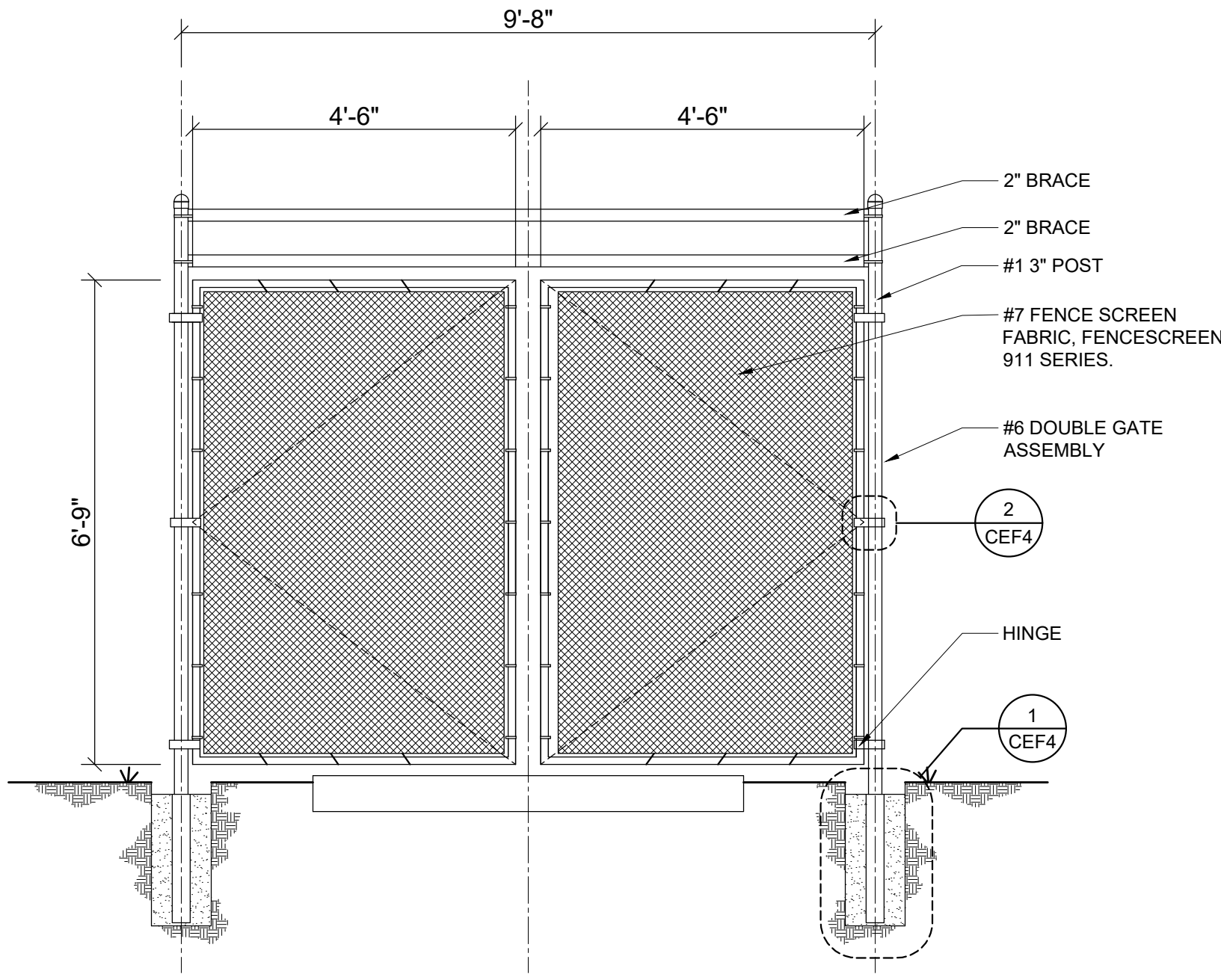




**CONSTRUCTION ADMINISTRATION:  
DESIGN GUIDELINES**



**NOTES:**

1. EXTENTS OF CAMPUS EVENTS FENCE LAYOUT & GATE LOCATIONS TO BE PROVIDED AS PART OF CONSTRUCTION DOCUMENTS FOR APPROVAL BY UA.
2. ALL GATES MUST BE OUTSWING TOWARD STREET, & UNLATCHED TO ALLOW EMERGENCY EGRESS FROM ENCLOSED YARD.

**1** TYPICAL EGRESS GATE PANELS  
SCALE: 1/2" = 1'-0"

THE UNIVERSITY OF ALABAMA  
 Division of  
 Finance and Operations  
 Construction Administration  
 413 Cahaba Circle  
 Tuscaloosa, Alabama 35604  
 Phone: (205) 346-5950  
 Web: constructionadministration.ua.edu

Date: 03/07/2023

Scale: 1/2" = 1'-0"

Drawing Title:  
 Campus Event  
 Fencing

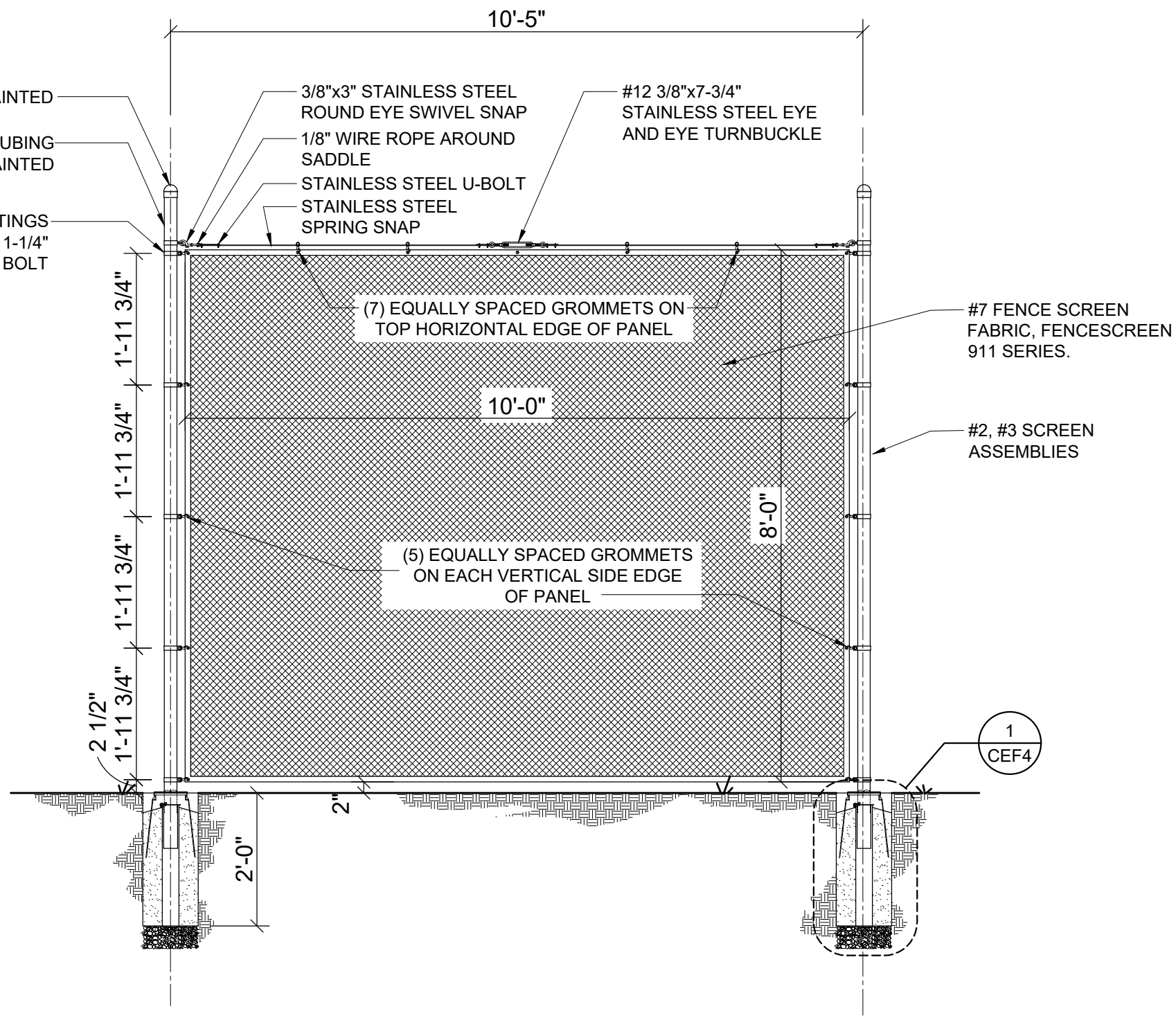
Drawing Number:  
 CEF-1



**CONSTRUCTION ADMINISTRATION:  
DESIGN GUIDELINES**

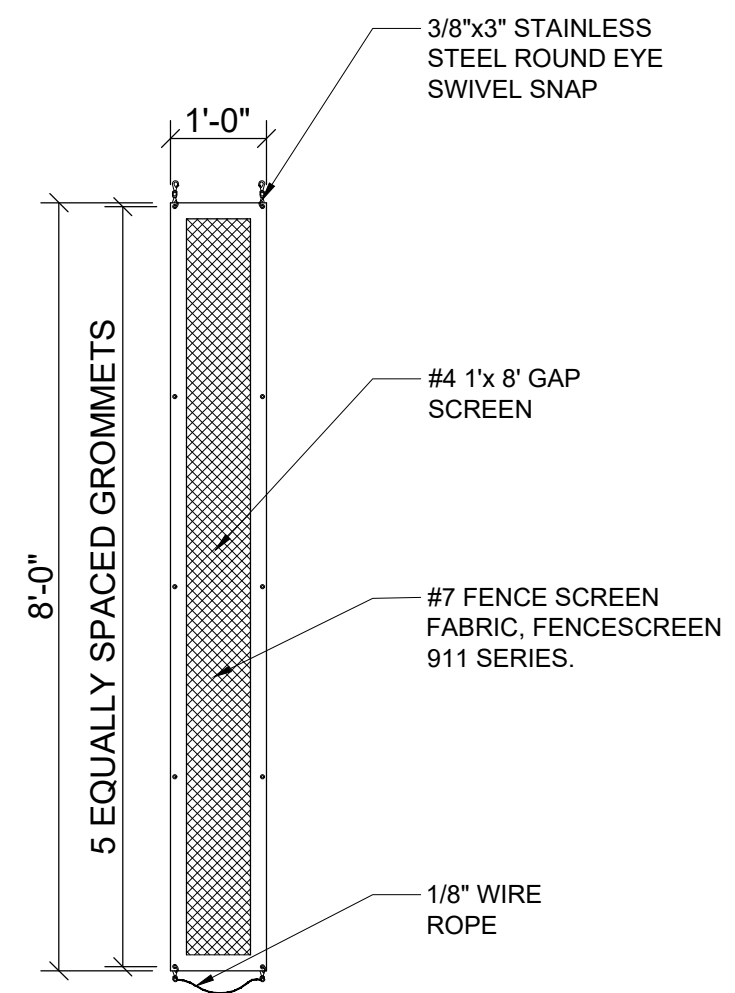
THE UNIVERSITY OF ALABAMA\*  
 Division of  
 Finance and Operations  
 Construction Administration  
 413 Cahaba Circle  
 Tuscaloosa, Alabama 35604  
 Phone: (205) 346-5950  
 Web: constructionadministration.ua.edu

Date: 03/07/2023  
 Scale: 1/2" = 1'-0"  
 Drawing Title:  
 Campus Event  
 Fencing  
 Drawing Number:  
 CEF-2



**2** TYPICAL FENCE SCREEN PANEL  
 SCALE: 1/2" = 1'-0"

**NOTE:**  
 EXTENTS OF CAMPUS EVENTS FENCE LAYOUT & GATE  
 LOCATIONS TO BE PROVIDED AS PART OF CONSTRUCTION  
 DOCUMENTS FOR APPROVAL BY UA.



**1** TYPICAL POST SCREEN PANEL  
 SCALE: 1/2" = 1'-0"



# CONSTRUCTION ADMINISTRATION: DESIGN GUIDELINES

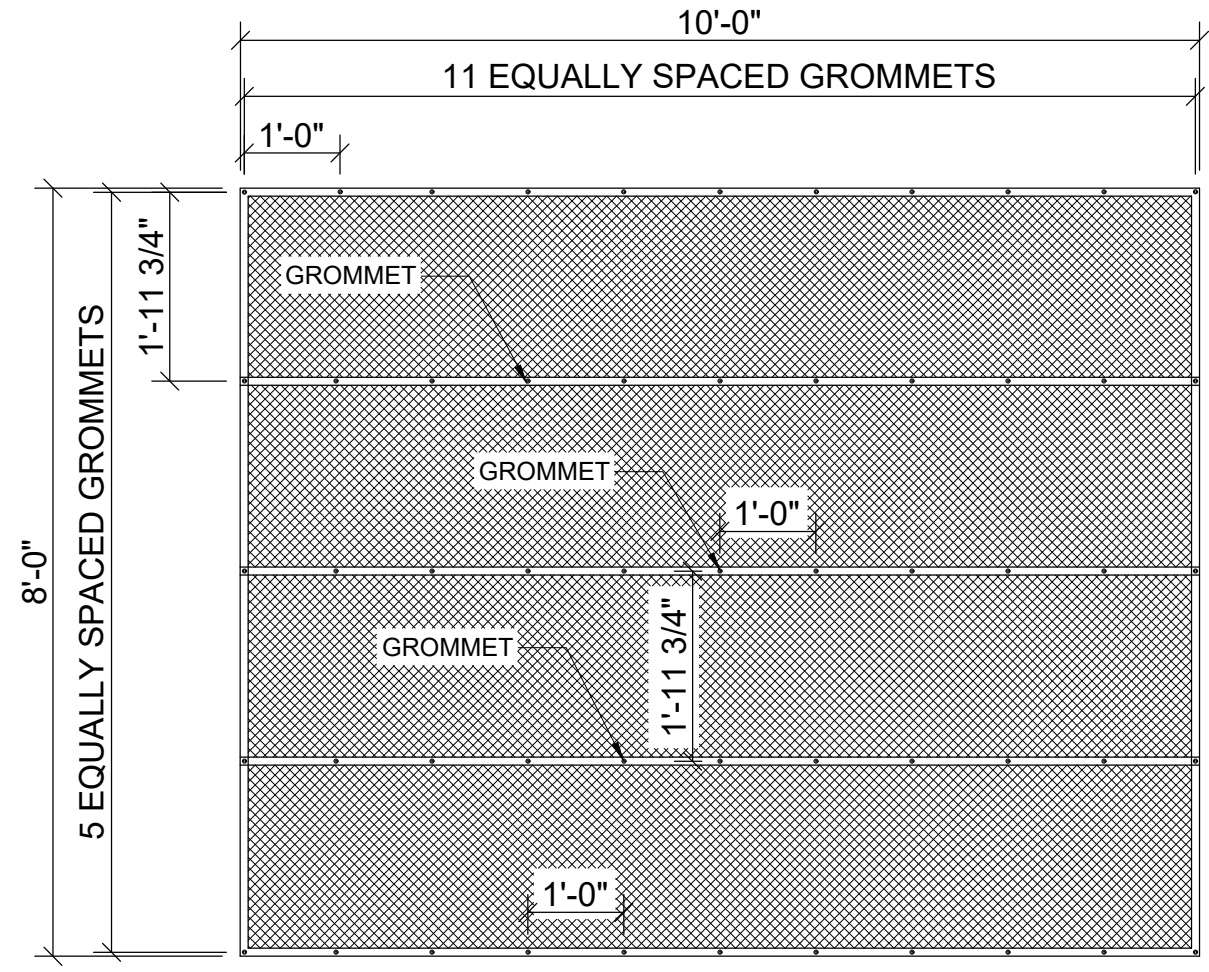
THE UNIVERSITY OF ALABAMA\*  
*Division of*  
Finance and Operations  
Construction Administration  
  
413 Cahaba Circle  
Tuscaloosa, Alabama 35604  
Phone: (205) 346-5950  
Web: [constructionadministration.ua.edu](http://constructionadministration.ua.edu)

Date: 03/07/2023

Scale: 1/2" = 1'-0"

Drawing Title:  
Campus Event  
Fencing

Drawing Number:  
CEF-3



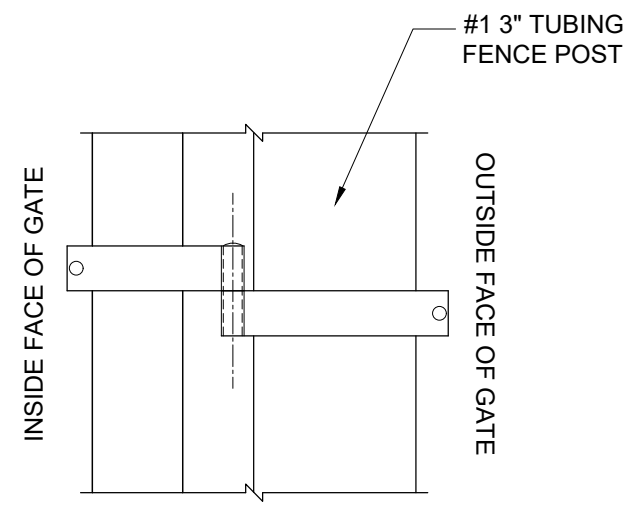
**NOTE:**

EXTENTS OF CAMPUS EVENTS FENCE LAYOUT & GATE  
LOCATIONS TO BE PROVIDED AS PART OF CONSTRUCTION  
DOCUMENTS FOR APPROVAL BY UA.

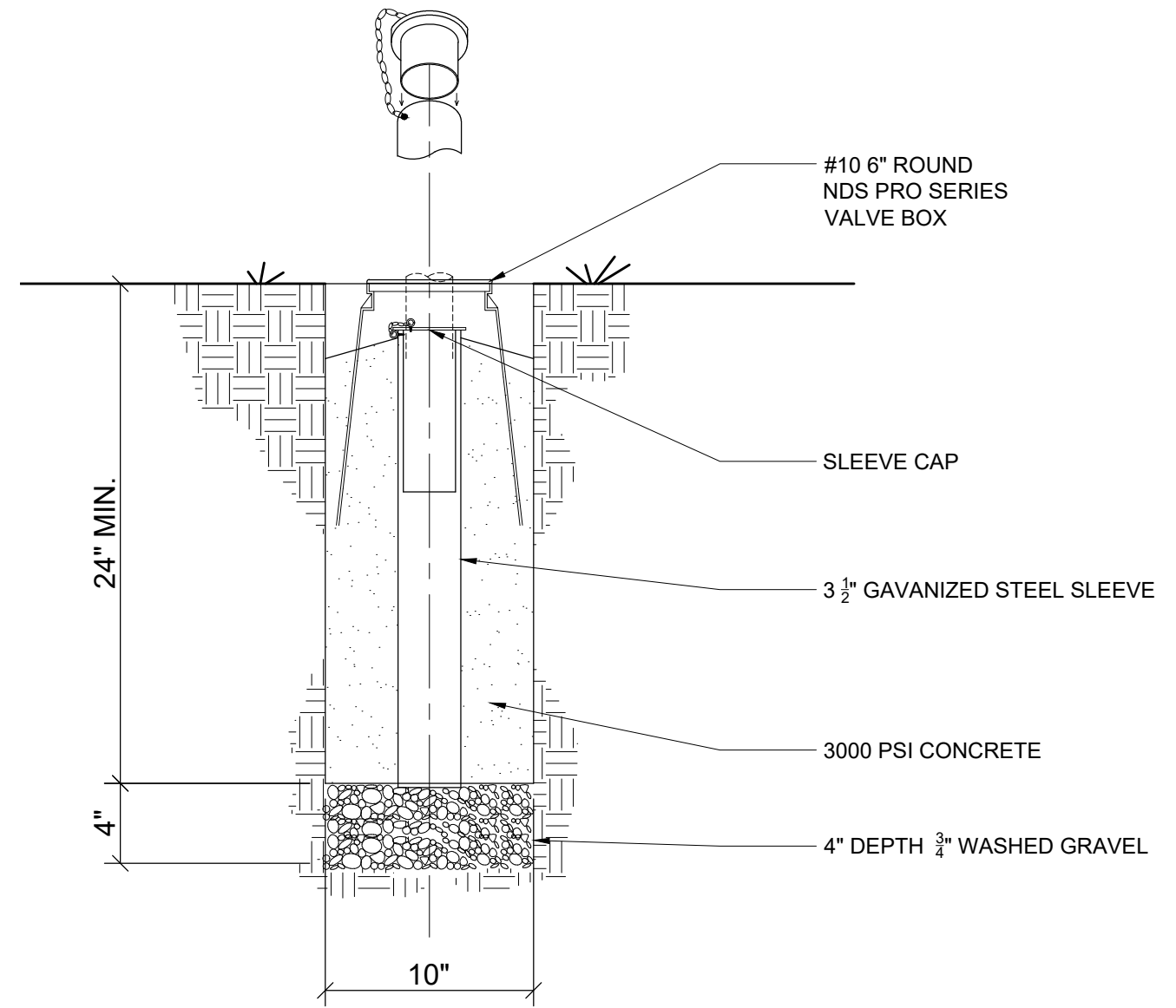
**1** CUSTOM SCREEN PANEL  
SCALE: 1/2" = 1'-0"



# CONSTRUCTION ADMINISTRATION: DESIGN GUIDELINES



**2** GATE HINGE DETAIL  
SCALE: NO SCALE



**1** TYPICAL FOOTING & SLEEVE DETAIL  
SCALE: 1-1/2" = 1'-0"

**NOTE:**  
EXTENTS OF CAMPUS EVENTS FENCE LAYOUT &  
GATE LOCATIONS TO BE PROVIDED AS PART OF  
CONSTRUCTION DOCUMENTS FOR APPROVAL BY UA.

THE UNIVERSITY OF ALABAMA\*  
Division of  
Finance and Operations  
Construction Administration  
413 Cahaba Circle  
Tuscaloosa, Alabama 35604  
Phone: (205) 346-5950  
Web: constructionadministration.ua.edu

Date: 03/07/2023

Scale: AS NOTED

Drawing Title:

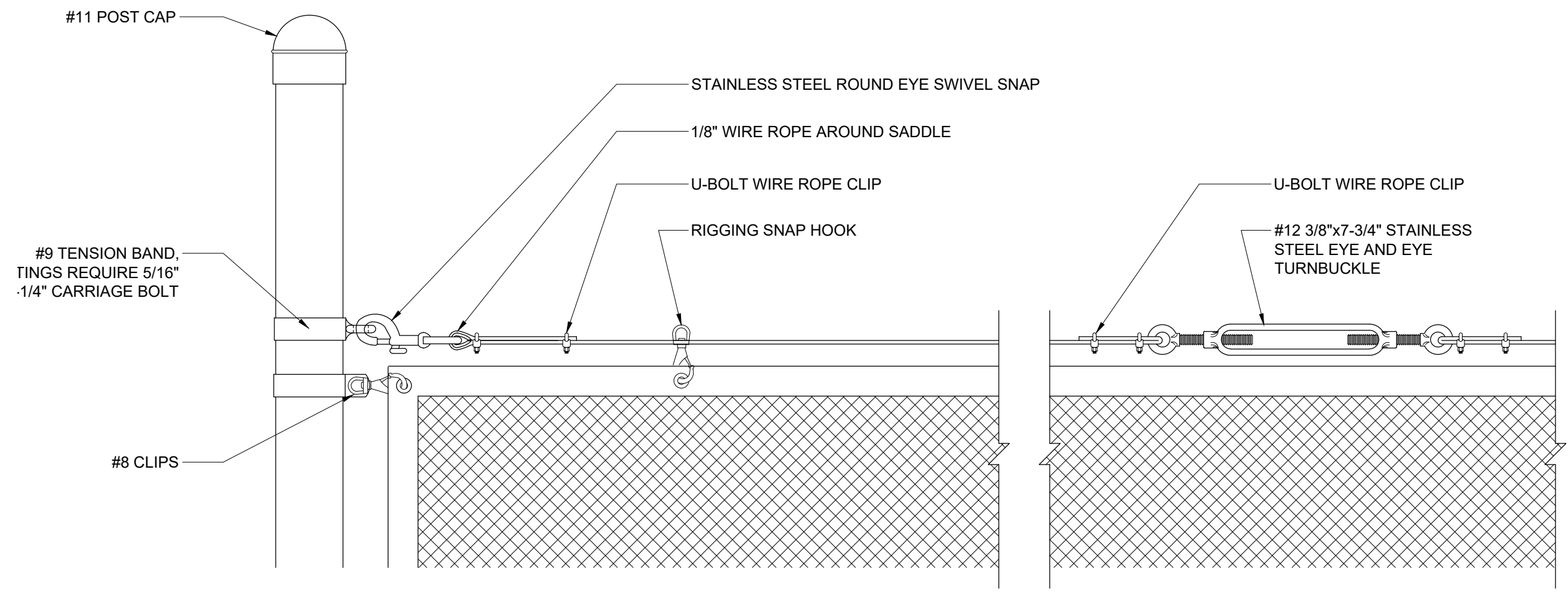
Campus Event  
Fencing

Drawing Number:

CEF-4



**CONSTRUCTION ADMINISTRATION:  
DESIGN GUIDELINES**



**NOTE:**  
EXTENTS OF CAMPUS EVENTS FENCE LAYOUT & GATE  
LOCATIONS TO BE PROVIDED AS PART OF CONSTRUCTION  
DOCUMENTS FOR APPROVAL BY UA.

**1** TENSION CABLE ASSEMBLY DETAIL  
SCALE: 3" = 1'-0"

THE UNIVERSITY OF ALABAMA\*  
Division of  
Finance and Operations  
Construction Administration  
413 Cahaba Circle  
Tuscaloosa, Alabama 35604  
Phone: (205) 346-5950  
Web: constructionadministration.ua.edu

Date: 03/07/2023

Scale: 3" = 1'-0"

Drawing Title:  
Campus Event  
Fencing

Drawing Number:  
CEF-5