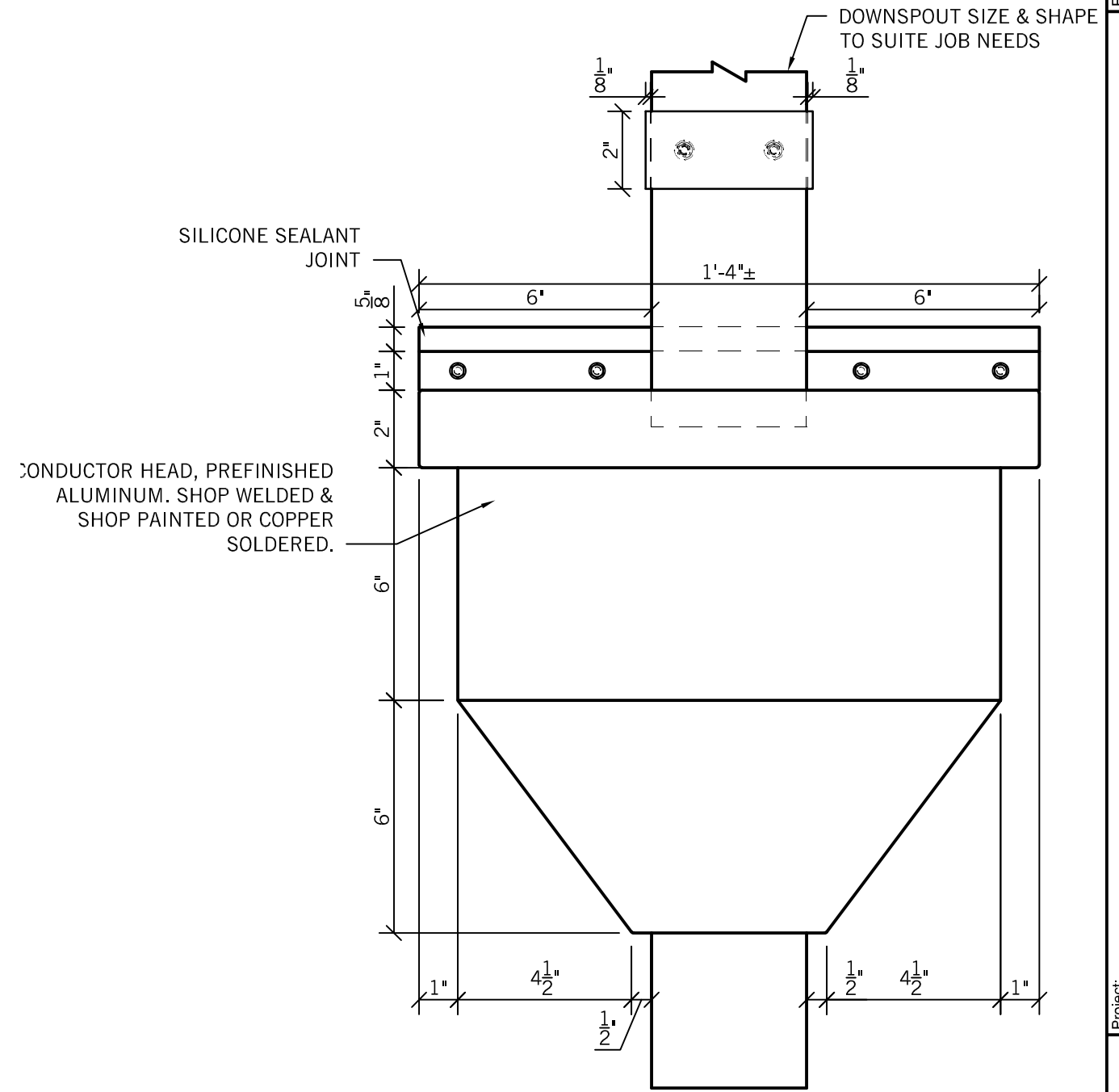


2 CONDUCTOR HEAD - SECTION
SCALE: 3" = 1'-0"

NOTE:

EXACT MATERIAL, SHAPE, OUTLET SIZE, & OUTLET GEOMETRY TO SUIT SPECIFIC PROJECT NEEDS



1 CONDUCTOR HEAD - ELEVATION
SCALE: 3" = 1'-0"